



Meaningful Innovation.

WEEE Number: 80133970

## INSTRUCTION MANUAL

SOLAR LED WALL LIGHT



**02** YEAR

**WARRANTY\***

**IP65**  
**RATING**

### INTRODUCTION

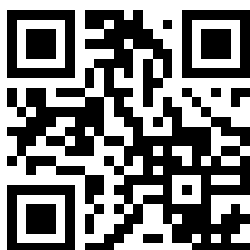
Thank you for selecting and buying V-TAC product. V-TAC will serve you the best. Please read these instructions carefully before starting the installation and keep this manual handy for future reference. If you have any another query, please contact our dealer or local vendor from whom you have purchased the product. They are trained and ready to serve you at the best. The warranty is valid for 2 years from the date of purchase. The warranty does not apply to damage caused by incorrect installation or abnormal wear and tear. The company gives no warranty against damage to any surface due to incorrect removal and installation of the product. The products are suitable for 10-12 Hours Daily operation. Usage of product for 24 Hours a day would void the warranty. This product is warranted for manufacturing defects only.



This marking indicates that this product should not be disposed of with other household wastes.



Caution, risk of electric shock.



### MULTI-LANGUAGE MANUAL QR CODE

Please scan the QR code to access the manual in multiple languages.

In case of any query/issue with the product, please reach out to us at: [support@v-tac.eu](mailto:support@v-tac.eu)

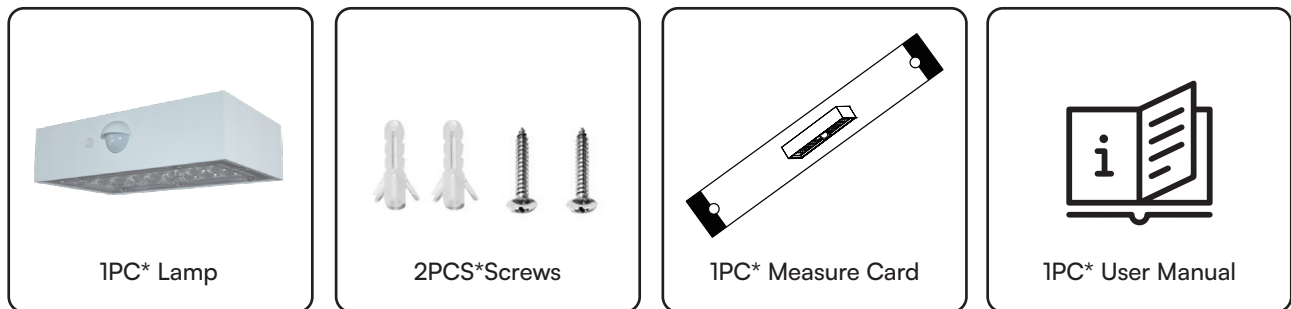
For More products range, inquiry please contact our distributor or nearest dealers.

V-TAC EUROPE LTD. Bulgaria, Plovdiv 4000, bul.L.Karavelow 9B

## TECHNICAL DATA

MODEL	VT-403
SKU	10305, 10306
LUMENS	350 LM
OUTPUT POWER	3W
EQUIVALENT WATT	30 W
LEDs	SMD 2835x21 pcs
BATTERY	18650, 3.7V, 1200mAh, 4.44Wh
MONO SOLAR PANEL	DC 5.5V, 1.15W
PIR SENSOR	120° x 6 Meters
BEAM ANGLE	120° x 60°
WORK MODES	2 Optional Work Modes
CHARGING TIME	5 Hours strong sunshine to fully charge
LIGHTING TIME	Up to 50 Hours
INSTALLATION HEIGHT	2-4 M
LIGHTING AREA	50m <sup>2</sup>
HOUSING MATERIAL	ABS+PC, Anti-UV, Antioxidant, Fireproof
LAMP DIMENSION	137.6x90.4x35.4mm
PACKING	1xSolar Lamp, 2xExpansion Plugs x Screws, 1xMeasure Card, 1xUser Manual
WARRANTY	2 Year (1 Year for Battery)

## PACKAGE CONTENT



## WARNING

1. This is a solar powered lamp, please install it in a location where can get efficient sunlight.
2. Please note the lighting time depends on sunshine duration & work mode.
3. Built-in intelligent IC is with over-charge and over-discharge protection, safe and durable.
4. When the lamp is turned off, it still can get solar charging at day time.
5. The lamp is equipped with an internal battery pack, which is replaceable.  
If any need, please contact the seller for support.
6. Non-professionals please do not disassemble the lamp.
7. Please do not dispose the battery with household garbage to avoid explosion.

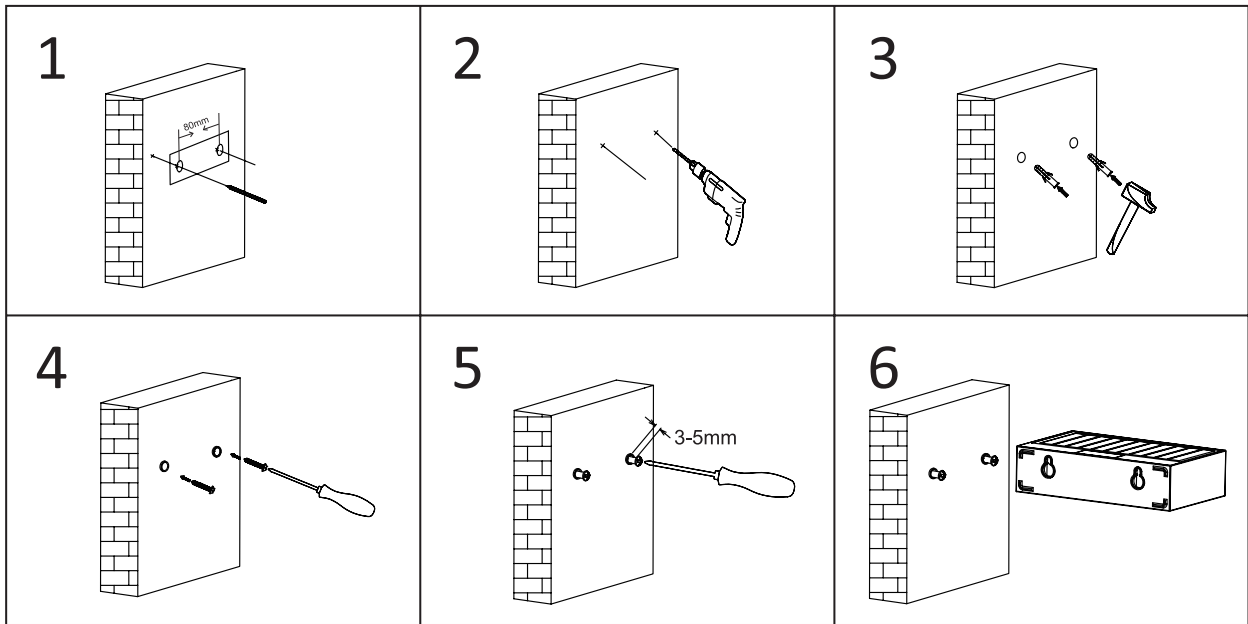
RoHS



UK  
CA



## INSTALLATION



1. Please use the measure card to mark holes position.
2. Drill 2 holes(6mm, depth 50mm) with a spacing of 80mm.
3. Fix the expansion plugs in the holes.
4. Fix the screws into the expansion plugs, allow the screws to protrude slightly around 3-5mm.
5. Turn on the lamp and set desired work mode.
6. Hang the lamp on the screws to secure it to the wall.

## TWO OPTIONAL WORK MODES



→ ON/OFF/Switch Work Mode

1. Press the button 1st time, the upper light flashes once, lamp enter Mode A.
2. Press the button 2nd time, the upper light flashes twice, lamp enter Mode B.
3. Press the button 3rd time, the upper light flashes 3 times, lamp turns off.

### MODE A

Lamp automatically lights up at night, automatically turns to full brightness when motion is detected in the range  $\leq 6m$ , and dims to low brightness (upper light on, down light on) after 10 seconds of no motion.



### MODE B

Lamp automatically lights up at night, automatically turns to full brightness when motion is detected in the range  $\leq 6m$ , and dims to low brightness (upper light on, down light off) after 10 seconds of no motion.

