



Meaningful Innovation.

WEEE Number: 80133970

## INSTRUCTION MANUAL

LINEAR ACCESSORIES  
COMPATIBLE WITH VT-4140



**03** YEAR  
WARRANTY\*

### TECHNICAL DATA

SKU	SHAPE	WATTS	LUMENS	CRI	DF	BEAM ANGLE	INPUT POWER	IP RATING	DIMENSION
10140, 10141 10142, 10143	X Connector	12W	1200Lm	>80	>0.9	120°	AC:220-240V 50/60 Hz	IP20	181X181X58mm
10170,10171 10172,23002	T Connector	10W	1000 Lm	>80	>0.9	120°	AC:220-240V 50/60 Hz	IP20	181x116.5x58mm
10173, 10174 10175, 10176	L Connector	8W	800 Lm	>80	>0.9	120°	AC:220-240V 50/60 Hz	IP20	116.5x116.5x58mm

### INTRODUCTION & WARRANTY

Thank you for selecting and buying V-TAC product. V-TAC will serve you the best. Please read these instructions carefully before starting the installation and keep this manual handy for future reference. If you have any another query, please contact our dealer or local vendor from whom you have purchased the product. They are trained and ready to serve you at the best. The warranty is valid for 3 years from the date of purchase. The warranty does not apply to damage caused by incorrect installation or abnormal wear and tear. The company gives no warranty against damage to any surface due to incorrect removal and installation of the product. The products are suitable for 10-12 Hours Daily operation. Usage of product for 24 Hours a day would void the warranty. This product is warranted for manufacturing defects only.



This marking indicates that this product should not be disposed of with other household wastes.



Caution, risk of electric shock.



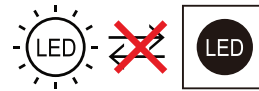
#### MULTI-LANGUAGE MANUAL QR CODE

Please scan the QR code to access the manual in multiple languages.

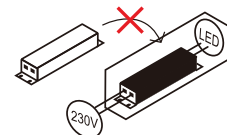
In case of any query/issue with the product, please reach out to us at: [support@v-tac.eu](mailto:support@v-tac.eu)  
For More products range, inquiry please contact our distributor or nearest dealers.  
V-TAC EUROPE LTD. Bulgaria, Plovdiv 4000, bul.L.Karavelow 9B

## WARNING

1. Please make sure to turn off the power before starting the installation.
2. Installation must be performed by a qualified electrician.
3. The light source of this luminaire is not replaceable, when the light source reaches its end of life the whole luminaire should be replaced.
4. If the external flexible cable or cord of this luminaire is damaged, it shall be exclusively replaced by the manufacturer or his service agent or a similar qualified person in order to avoid a hazard.
5. For Indoor use only



Non-replaceable light source



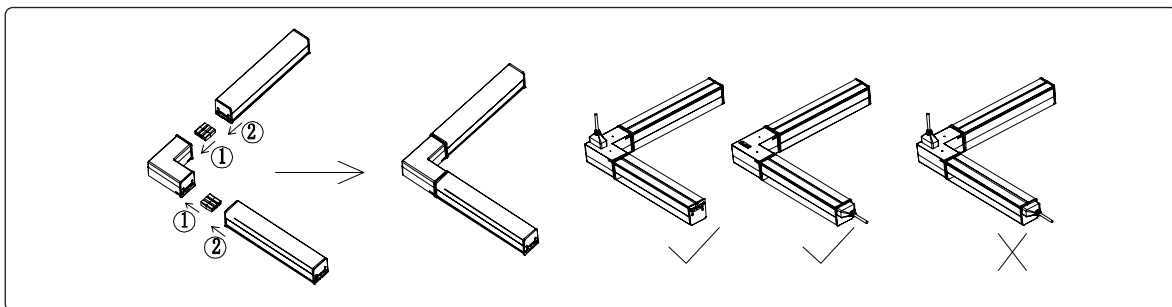
Non-replaceable control gear

## INSTALLATION DIAGRAM

**NOTE:** When using the connector, kindly apply power source only from 1 end.

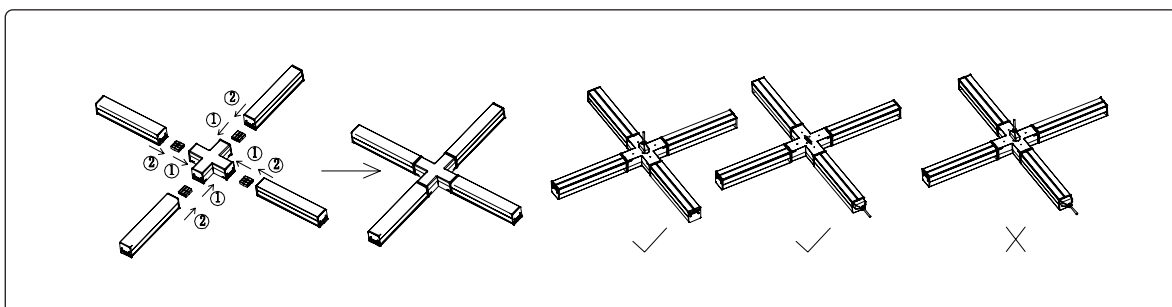
### L SHAPE CONNECTING DIAGRAM

Art. 359116



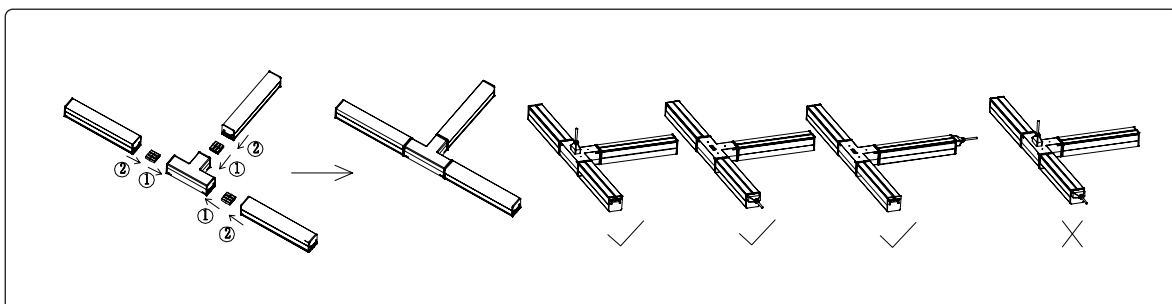
### X SHAPE CONNECTING DIAGRAM

Art. 359114

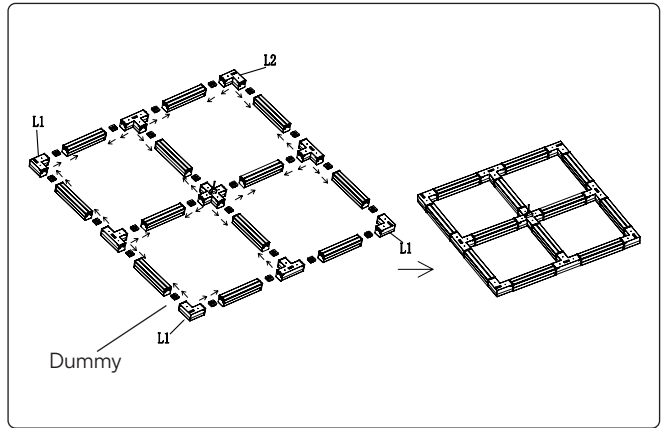
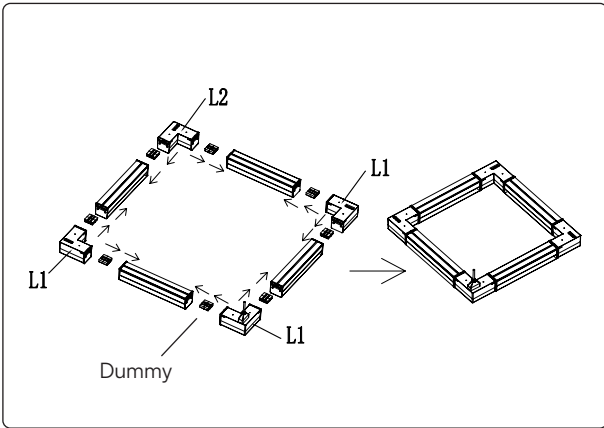


### T SHAPE CONNECTING DIAGRAM

Art. 359115



**SPECIAL NOTE:**When making a square formation, one of the connectors to be used should be a dummy connector which is provided together **with**



RoHS



UK  
CA

