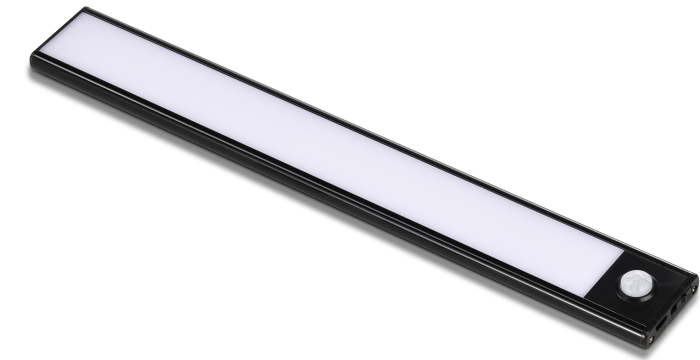


## INSTALLATION INSTRUCTION LED CABINET LIGHT WITH PIR SENSOR



### TECHNICAL DATA

Model	VT-8141	VT-8142	VT-8143
Watts	1.5W	2W	2.5W
Lumens	110lm	160lm	260lm
Beam Angle	180°	180°	180°
Body Type	Aluminum	Aluminum	Aluminum
Dimension	300*40*11mm	400*40*11mm	600*40*11mm
Battery	LITHIUM 1500mA	LITHIUM 2200mA	LITHIUM 3000mA
Charging Time	4 Hours	6Hours	7 Hours
Working Time	5~6 Hours	6~7 Hours	7~8 Hours
Sensor Mode	PIR Sensor	PIR Sensor	PIR Sensor
Detection Angle	120°	120°	120°
Detection Distance	3M~5M	3M~5M	3M~5M
Delay Time	15s	15s	15s
Input Voltage	DC: 5V, 1A	DC: 5V, 1A	DC: 5V, 1A

### INTRODUCTION & WARRANTY

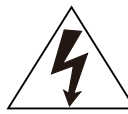
Thank you for selecting and buying V-TAC product. V-TAC will serve you the best. Please read these instructions carefully before starting the installation and keep this manual handy for future reference. If you have any another query, please contact our dealer or local vendor from whom you have purchased the product. They are trained and ready to serve you at the best. The warranty is valid for 2 years from the date of purchase. The warranty does not apply to damage caused by incorrect installation or abnormal wear and tear. The company gives no warranty against damage to any surface due to incorrect removal and installation of the product. The products are suitable for 10-12 Hours Daily operation. Usage of product for 24 Hours a day would void the warranty. This product is warranted for manufacturing defects only.

### WARNING

- Please make sure to turn off the power before starting the installation.
- Installation must be performed by a qualified electrician.
- The light source of this luminaire is not replaceable, when the light source reaches its end of life the whole luminaire should be replaced.
- Keep children away from this product or accessories.
- Do not use or store this product in a hot and humid place, or in a place with a lot of dust or oily smoke.
- Avoid strong vibration, shock, or excessive force to this product.
- Do not disassemble, repair, process or modify this product. Also, do not use it for any other purpose.
- When cleaning this product, do not use anything that contains volatile organic solvents such as benzine and thinner.
- If the battery of the target device becomes hot or you feel something is wrong while charging, stop using it immediately and contact us.
- When disposing of this product, follow the instructions of each local government and dispose of it correctly.
- For indoor use only.



This marking indicates that this product should not be disposed of with other household wastes.



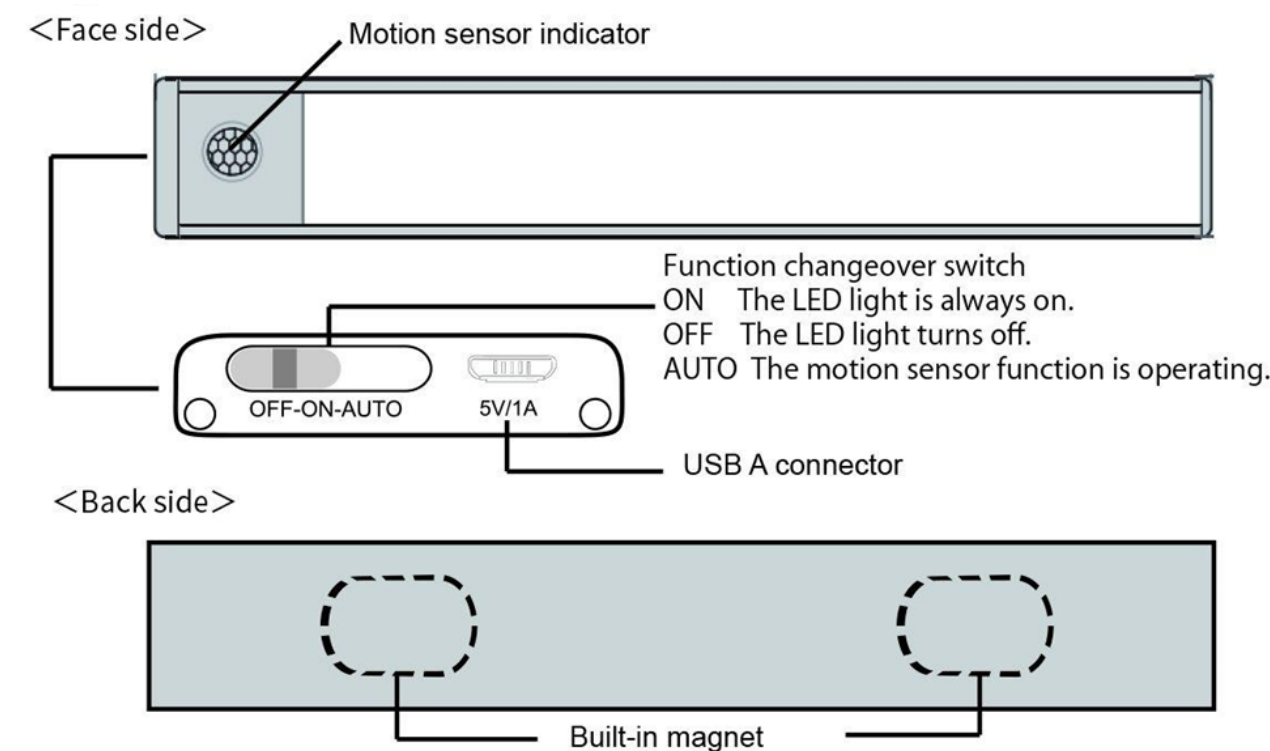
Caution, risk of electric shock.



### MULTI-LANGUAGE MANUAL QR CODE

Please scan the QR code to access the manual in multiple languages.

### PARTS OF ITEM



### NOTE:

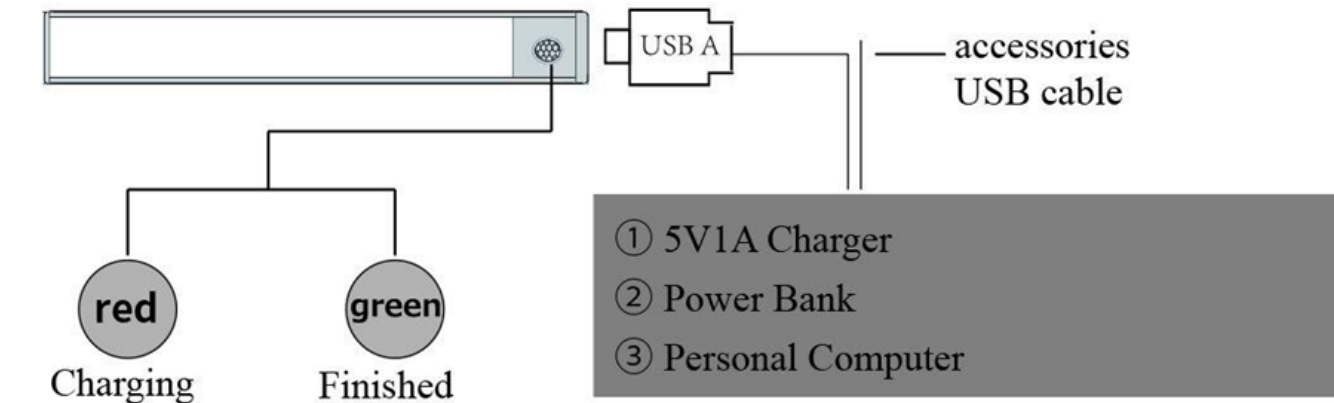
- Please charge in time when the light is dimmed.
- The numerical value of the LED light lighting time is an actual measurement value. It may vary depending on the usage environment.

### FEATURES

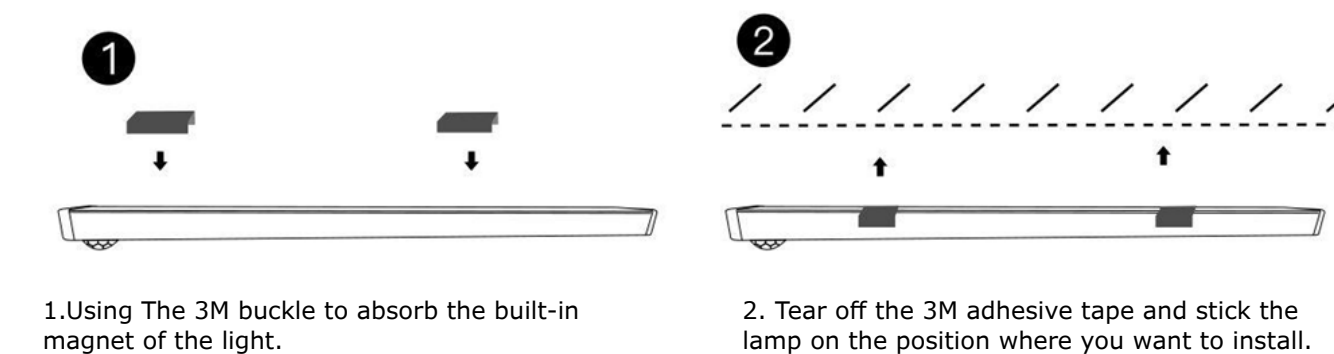
- The LED light with motion sensor detects the movement of a person entering the detection area and automatically turns on the LED light and turns it off after a while. (Motion sensing mode only takes effect at night or in a dark environment)
- Can be installed and used in closets, cabinets, kitchens, living rooms, entrances, etc.

### CHARGING METHOD

- Please use an independent USB port or 5V/1A charger device first. If there is no such device, you can connect this product to a personal computer. Please connect it when the personal computer is turned on.
- Connect the a USB connector of the battery part to the USB port that can supply power. Charging will start automatically and the indicator light on the sensor will glow red.
- When charging is complete, the indicator light will turns green.

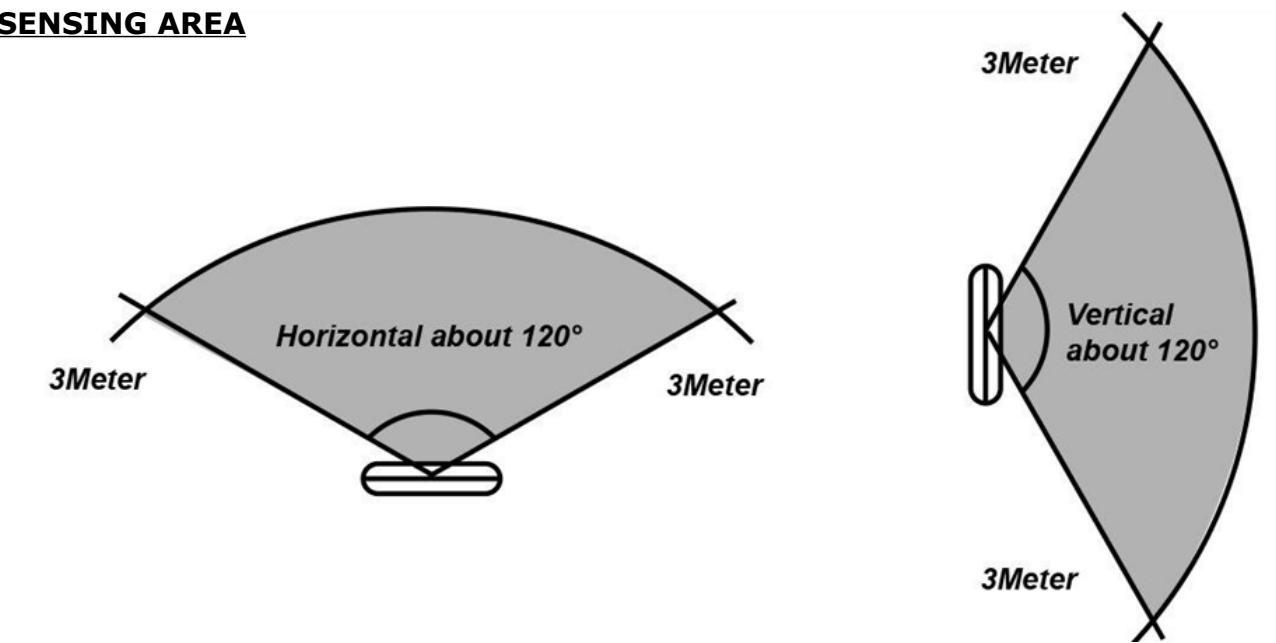


### PRODUCT INFORMATION



- \* Please refrain from installing in a place where the surface is painted.
- \* 3M tape is hard to peel off once it is stuck, but once it is peeled off, the adhesive force will decrease, please try to avoid secondary pasting.
- \* This product is not waterproof, please make sure to use it in a dry environment.

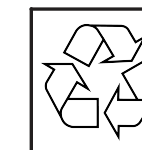
### SENSING AREA



### SENSING ACCURACY

After receiving this product, please check whether the motion sensing mode is effective. Please turn the switch to "AUTO" in a dark environment. After detecting human movement, the light will automatically light up.

**NOTE:** that in daylight or in sufficient light In the case of, the motion sensing mode is invalid.



IN CASE OF ANY QUERY/ISSUE WITH THE PRODUCT, PLEASE REACH OUT TO US AT: SUPPORT@V-TAC.EU  
FOR MORE PRODUCTS RANGE, INQUIRY PLEASE CONTACT OUR DISTRIBUTOR OR NEAREST  
DEALERS. V-TAC EUROPE LTD. BULGARIA, PLOVDIV 4000, BUL.L.KARAVELOW 9B